

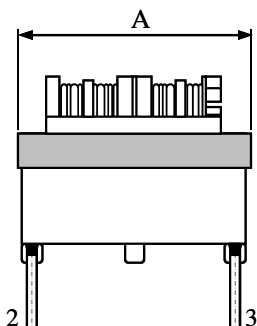
| | | | |
|---------------------|------------------|--------------------|----------|
| CUSTOMER: | | REF NO: | S120013 |
| DESCRIPTION: | ET24 LINE FILTER | VERSION : A | PAGE:1/2 |

SPECIFICATION

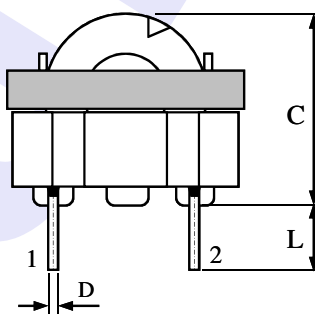
Compliant RoHS

I .PHYSICAL DIMENSIONS (Unit:mm)

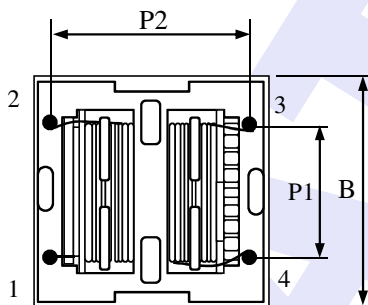
| A | B | C | D | L | P1 | P2 |
|---------|----------|-------|----------|---------|----------|----------|
| 25.5max | 25.5 max | 21max | Ø0.8±0.1 | 4.0±1.0 | 15.0±0.5 | 21.0±0.5 |



Elevation View

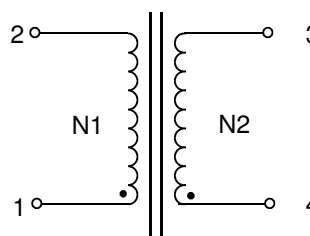


Side View



Bottom View

II .WINDING GIAGRAM



Note: ● Winding start

| APP | CHK | DRG |
|-----|-----|-----|
| 钟明德 | 王成锋 | 何玉侃 |

| SAMPLE NO. | |
|-------------|--------------|
| MATSUTA NO. | 63-1F2418283 |
| SPEC. NO. | TR18283 |
| ISSUE DATE. | 2012-2-15 |

MATSUTA CO.,LTD.

Flat 15, 10/F, Block B, Tonic Industrial Centre,
19 Lam Hing Street, Kowloon Bay, Hong Kong.

Tel: (852) 2796 6693

Fax: (852) 2796 3530, 2754 5674

E-mail: matsuta@matsuta.com.hk

Web site: <http://www.matsuta.com>

| | | | |
|---------------------|------------------------|-------------------|------------------|
| CUSTOMER: | REF NO :S120013 | | |
| DESCRIPTION: | ET24 LINE FILTER | VERSION :A | PAGE :2/2 |

SPECIFICATION

Compliant RoHS

III.ELECTRICAL PERFORMANCE & CONSTRUCTION

| C.D. | START | END | N(Ts) | WIRE (UEW) | INDUCTANCE | DC RESIST |
|----------------------------|---|-----|--------|-----------------|------------|------------|
| N1 | 1 | 2 | 47 Ref | ø0.60mm | 8mH min | 0.24 Ω max |
| N2 | 4 | 3 | 47 Ref | ø0.60mm | 8mH min | 0.24 Ω max |
| N O T E | 1. Inductance measured by CH-100LCR (1KHz/0.25V). | | | | | |
| | 2. DC Resist measured by CH-502AC (at 25°C). | | | | | |
| | 3. Rated AC current: 1.5A. | | | | | |

IV、 MATERIALS LIST:

| NO | ITEM | MATERIALS | MANUFACTURER | UL FILE NO |
|----|---------|------------------------------|---|------------|
| 1 | BOBBIN | ET24 PBT 4115 94V-0 | CHANG CHUN PLASTICS CO.,LTD. | E59481(S) |
| 2 | BASE | ET24 PHENOLIC T375J 94V-0 | CHANG CHUN PLASTICS CO.,LTD. | E59481(S) |
| 3 | CORE | A10 ET24 OR EQUIVALENT | ACME Electronics Corporation OR EQUIVALENT | N/A |
| 4 | WIRE | UEW 130°C | FENG CHING METAL CORP OR EQUIVALENT | E172395 |
| 5 | VARNISH | 1032BIH | QUALIPOLY CHEMICAL CORP | E213437 |
| 6 | SOLDER | SMD1 | NIHON GENMA | N/A |

| | | | | |
|------------|------------|------------|--------------------|--------------|
| APP | CHK | DRG | SAMPLE NO. | |
| 钟明德 | 王成锋 | 何玉侃 | MATSUTA NO. | 63-1F2418283 |
| | | | SPEC. NO. | TR18283 |
| | | | ISSUE DATE. | 2012-2-15 |

MATSUTA CO.,LTD.

Flat 15, 10/F, Block B, Tonic Industrial Centre,
19 Lam Hing Street, Kowloon Bay, Hong Kong.

Tel: (852) 2796 6693

Fax: (852) 2796 3530, 2754 5674

E-mail: matsuta@matsuta.com.hk

Web site: <http://www.matsuta.com>