

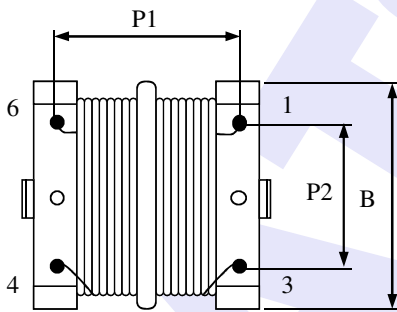
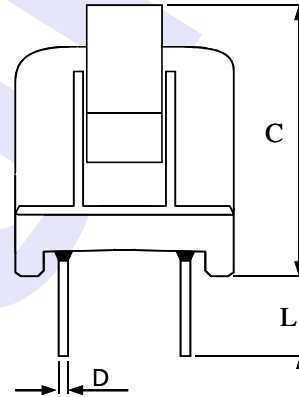
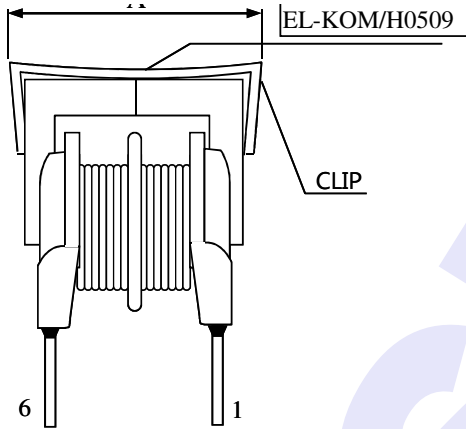
CUSTOMER:	REF NO :		
DESCRIPTION:	UU16 LINE FILTER	VERSION : A	PAGE : 1/2

SPECIFICATION

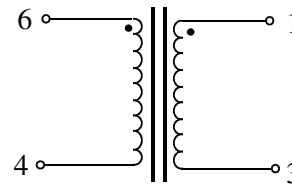
Compliant RoHS

I .PHYSICAL DIMENSIONS (Unit:mm)

A	B	C	D	L	P1	P2
24.0 max	20.0 max	28.0max	Ø0.7±0.1	4.5±1.0	13.0±0.5	10.0±0.5



II . WINDING DIAGRAM



Note: ● Winding start

NOTE: PIN2,5 CUT OFF
BOTTOM VIEW

APP	CHK	DRG

SAMPLE NO.	H0509
MATSUTA NO.	63-161616698Q
SPEC. NO.	TR16698
ISSUE DATE.	2011/08/01

MATSUTA CO.,LTD.

Flat 15, 10/F, Block B, Tonic Industrial Centre,
19 Lam Hing Street, Kowloon Bay, Hong Kong.

Tel: (852) 2796 6693

Fax: (852) 2796 3530, 2754 5674

E-mail: matsuta@matsuta.com.hk

Web site: <http://www.matsuta.com>

CUSTOMER:	REF NO:		
DESCRIPTION:	UU16 LINE FILTER	VERSION : A	PAGE : 2/2

SPECIFICATION

III. ELECTRICAL PERFORMANCE

Compliant RoHS

C.D.	N(Ts) REF	WIRE 1UEW-F	START	END	INDUCTANCE	DC RESIST
N1	115	Ø0.28mm	1	3	33.0mH min	1.2Ω±12%
N2	115	Ø0.28mm	6	4	33.0mH min	1.2Ω±12%
NOTE	1. Leakage Inductance (1~3):500µHmax					
	2. Leakage Inductance & Inductance measured by CH-100LGR (at 1KHz/0.25V).					
	3. DC Resist measured by CH-502AC (at 25°C).					
	4. Rated current:0.80A max					
	5. HI-POT test: Coil to Coil 1.8KV/AC/5mA for2seconds. Coil to Core 1.8KV/AC/5mA for2seconds.					

IV. MATERIALS LIST:

NO	ITEM	MATERIALS	MANUFACTURER	UL FILE NO
1	BOBBIN	UU16 PHENOLIC PJ-4	SHANGHAI TWIN-TREE PLASTICS FACTORY	E106276
2	CLIP	UU16	CHUANG SHUN ELECTRONIC	N/A
3	CORE	A07 UU16 JH7A UU16	ACME JPMF	N/A
4	WIRE	1UEW-F 155°C	FENG CHING METAL CORP	E172395
5	VARNISH	1032BOH	QUALIPOLY CHEMICAL CORP	E213437

APP	CHK	DRG

SAMPLE NO.	H0509
MATSUTA NO.	63-161616698Q
SPEC. NO.	TR16698
ISSUE DATE.	2011/08/01

MATSUTA CO.,LTD.

Flat 15, 10/F, Block B, Tonic Industrial Centre,
19 Lam Hing Street, Kowloon Bay, Hong Kong.

Tel: (852) 2796 6693

Fax: (852) 2796 3530, 2754 5674

E-mail: matsuta@matsuta.com.hk

Web site: <http://www.matsuta.com>